

Teste a snodo SI

BEF1-1-20-501-DURBAL - BEF1-1-20-501-DURBAL

<https://www.123cuscinetti.ch/cuscinetti-supporti/teste-snodo/si/bef1-1-20-501-durbal>

BEF1/1-20-501



rod end housing:
forged steel, tempered, surface galvanized, free of Cr-VI

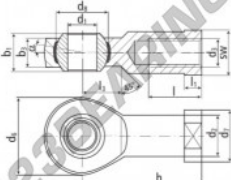

joint ball:
ball bearing steel, hardened and ground, surface superfinished and chromium plated

race:
nylon / teflon / glass fibre compound

tolerances:
see page 10

DURBAL® heavy-duty rod ends with integral spherical plain bearing

female thread:
maintenance free, dimensions in inches

order number		measurements [inches]									
type	right hand thread	left hand thread	d ₁	d ₂	d ₃	class 2	d ₅	d ₇	d ₈	b ₁	b ₂
BEF 1/1 -20 -501			1.000	1.319	1.0000-12 UNF		2.362	1.654	1.688	1.220	.866
		measurements [inches]									
type	h	l	l ₁	l ₂	SW	α ₁ [°]	α ₂ [°]	weight [kg]	basic load rating C _r [N]	stat. C ₁₀ [N]	
BEF 1/1	3.720	1.653	.511	1.200	1.417	15.5	10.0	0.663	45350	118600	

CARATTERISTICHE DEL PRODOTTO

Marchio	DURBAL
N° Ean13	3663952510637
Diametro interno	25.4 mm
Diametro interno	1" inch
Diametro esterno	59.99 mm
Diametro esterno	2.362" inch
Spessore	30.99 mm
Spessore	1.22" inch
Tipo	SI
Peso	663 g
Il filo	Filetto destro
Lubrificazione	senza
Imballaggio	1

contatto@123cuscinetti.ch

CRT4 de Lesquin 60 Rue Du Haut De Sainghin 59273 Fretin FRANCE