


## Teste a snodo SA BEM30-20-501-DURBAL - BEM30-20-501-DURBAL

<https://www.123cuscinetti.ch/cuscinetti-supporti/teste-snodo/sa/bem30-20-501-durbal>

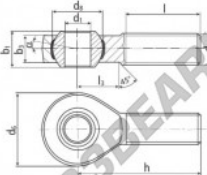
### BEM30-20-501



male thread:  
maintenance free,  
adapter sizes  
according to  
DIN ISO 12240-4,  
series K



**DURBAL® heavy-duty rod ends  
with integral spherical  
plain bearing**



rod end housing:  
forged steel, tempered, rolled thread,  
surface galvanized, free of Cr-VI

joint ball:  
ball bearing steel, hardened and ground,  
surface superfinished and chromium  
plated

race:  
nylon / teflon / glass fibre compound

tolerances:  
see page 10

order number		measurements [mm]			weight		basic load rating	
type	type	d <sub>1</sub>	d <sub>2</sub>	d <sub>3</sub>	d <sub>4</sub>	l <sub>1</sub>	l <sub>2</sub>	l <sub>3</sub>
BEM 30 -20 -501	M 30 x 2	30	M 30 x 2	70	50,75	37	25,0	
type	h	l	l <sub>3</sub>	α <sub>1</sub> °	α <sub>2</sub> °	stat.		
BEM 30	110	66	35	17,0	10,5	1,015	55010	145600

## CARATTERISTICHE DEL PRODOTTO

Marchio	DURBAL
N° Ean13	3663952507972
Diametro interno	30 mm
Diametro esterno	70 mm
Spessore	37 mm
Tipo	-
Peso	1015 g
Il filo	-
Lubrificazione	-
Imballaggio	-

[contatto@123cuscinetti.ch](mailto:contatto@123cuscinetti.ch)

CRT4 de Lesquin 60 Rue Du Haut De Sainghin 59273 Fretin FRANCE