

## Teste a snodo SA


# BEM16-20-501-DURBAL - BEM16-20-501-DURBAL

<https://www.123cuscinetti.ch/cuscinetti-supporti/teste-snodo/sa/bem16-20-501-durbal>

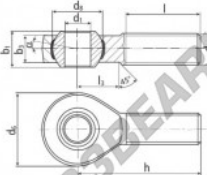
### BEM16-20-501



male thread:  
maintenance free,  
adapter sizes  
according to  
DIN ISO 12240-4,  
series K



**DURBAL® heavy-duty rod ends  
with integral spherical  
plain bearing**



rod end housing:  
forged steel, tempered, rolled thread,  
surface galvanized, free of Cr-VI

joint ball:  
ball bearing steel, hardened and ground,  
surface superfinished and chromium  
plated

race:  
nylon / teflon / glass fibre compound

tolerances:  
see page 10

order number		measurements [mm]						
type	type	d <sub>1</sub>	d <sub>2</sub>	d <sub>3</sub>	d <sub>4</sub>	l <sub>1</sub>	l <sub>2</sub>	
BEM 16 -20 -501		16	M 16		42	28,52	21	15,0
measurements [mm]		weight		basic load rating				
type	h	l	l <sub>3</sub>	α <sub>1</sub> °	α <sub>2</sub> °	dyn.	stat.	
BEM 16	66	40	22	15,5	8,5	[kg]	[N]	
						0,202	22410	56600

## CARATTERISTICHE DEL PRODOTTO

Marchio	DURBAL
N° Ean13	3616060468239
Diametro interno	16 mm
Diametro esterno	42 mm
Spessore	21 mm
Tipo	GE
Peso	202 g
Il filo	Filetto destro
Lubrificazione	senza
Imballaggio	1

[contatto@123cuscinetti.ch](mailto:contatto@123cuscinetti.ch)

CRT4 de Lesquin 60 Rue Du Haut De Sainghin 59273 Fretin FRANCE