

## Teste a snodo SI BRTF16-03-501-DURBAL - BRTF16-03-501-DURBAL

<https://www.123cuscinetti.ch/cuscinetti-supporti/teste-snodo/si/brtf16-03-501-durbal>

### BRTF16-03-501



**rod end housing:**  
forged steel, case-hardened bearing race, superfinished, surface galvanized, free of Cr VI

**inner ring:**  
ball bearing steel, hardened, superfinished

**lubrication:**  
aluminium complex soap-grease, temperature range -45 °C to +120 °C, approval according to USDA H1

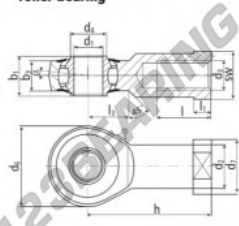

**lubrication fitting:**  
DIN 71 412 H1

**bearing clearance:**  
10 - 30 µm radial

**tolerances:**  
see page 10

**DURBAL® heavy-duty rod ends with integral self-aligning roller bearing**

**female thread:**  
long-term lubrication, low maintenance, shields, adapter sizes according to DIN ISO 12240-4, series K

order number			measurements [mm]									
type	right hand thread	left hand thread	d <sub>1</sub>	d <sub>2</sub>	d <sub>3</sub>	d <sub>4</sub>	d <sub>6</sub>	d <sub>7</sub>	h <sub>1</sub>	b <sub>3</sub>		
BRTF 16 -03	-501		16	22,0	M 16	19,0	42	27	21	15		
			measurements [mm]					weight	rotational speed limit	basic load rating		
type	h	l	l <sub>1</sub>	l <sub>2</sub>	l <sub>3</sub>	SW	α [°]	[kg]	n <sub>max</sub> [min <sup>-1</sup> ]	dyn. C [N]	stat. C <sub>0</sub> [N]	
BRTF 16	64	28	8,0	22	22	7,0		0,220	975	13300	8900	

## CARATTERISTICHE DEL PRODOTTO

Marchio	DURBAL
N° Ean13	3663952506852
Diametro interno	16 mm
Diametro esterno	42 mm
Spessore	21 mm
Tipo	SI
Peso	220 g
Il filo	Filetto destro
Lubrificazione	con
Imballaggio	1

[contatto@123cuscinetti.ch](mailto:contatto@123cuscinetti.ch)

CRT4 de Lesquin 60 Rue Du Haut De Sainghin 59273 Fretin FRANCE