

Teste a snodo SI SIL45-ES-2RS-DURBAL - DSIL45-ES-2RS-DURBAL

<https://www.123cuscinetti.ch/cuscinetti-supporti/teste-snodo/si/dsil45-es-2rs-durbal>

SIL45-ES-2RS



female thread;
lubrication
required,
according to
DIN ISO 12240-4;
serie E

Description: DIN ISO rod end E series. Made of spherical plain bearing DGE...E (ES) pressed into rod end body. Sliding combination steel / steel. Maintenance necessary. Bore diameter $d \geq 15$ with grease nipple in rod end body and lubrication groove and hole in inner and outer ring. Bore diameter $d \geq 15$ type DSIL...ES-2RS with additional seals also available.

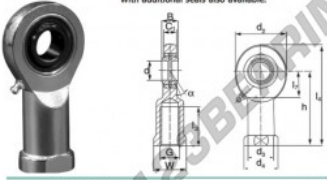
rod end body:
surface zinc plated

Sliding combination:
steel / steel

Inner ring:
bearing steel, hardened, ground and phosphated

Outer ring:
bearing steel, hardened, ground and phosphated

Lubrication:
lubrication required



order number		measurement [mm]	
right hand thread	left hand thread	d	G
SIL 45 ES (-2RS)		45	M 42 x 3

type	measurement [mm]			load rating C ₀ [kN]	weight [kg]
	l ₁ min	W	h		
SI / SIL 45 ES (-2RS)	65	60	145	240,0	2,5

CARATTERISTICHE DEL PRODOTTO

Marchio	DURBAL
N° Ean13	3663952497464
Diametro interno	45 mm
Diametro esterno	102 mm
Spessore	32 mm
Tipo	SI
Peso	2500 g
Il filo	Filetto sinistro
Lubrificazione	con
Imballaggio	1

contatto@123cuscinetti.ch

CRT4 de Lesquin 60 Rue Du Haut De Sainghin 59273 Fretin FRANCE