

Teste a snodo SI SI17-ES-DURBAL - SI17-ES-DURBAL

<https://www.123cuscinetti.ch/cuscinetti-supporti/teste-snodo/si/si17-es-durbal>

SI17-ES



female thread;
lubrication
required,
according to
DIN ISO 12240-4;
serie E

Description: DIN ISO rod end E series. Made of spherical plain bearing DGE...E (ES) pressed into rod end body. Sliding combination steel / steel. Maintenance necessary. Bore diameter $d \geq 15$ with grease nipple in rod end body and lubrication groove and hole in inner and outer ring. Bore diameter $d \geq 15$ type DSI...ES-2/R5 with additional seals also available.

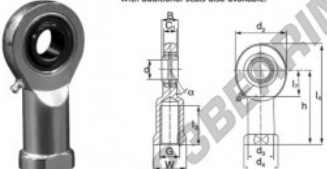
Rod end body:
surface zinc plated

Sliding combination:
steel / steel

Inner ring:
bearing steel, hardened, ground and phosphated

Outer ring:
bearing steel, hardened, ground and phosphated

Lubrication:
lubrication required



order number		measurement (mm)						
right hand thread	left hand thread	d	G	B	C1	d2	d3	d4
SI 17 ES		17	M 16	14	11,0	46	24,0	30

type	measurement [mm]			load rating C ₀ [kN]	weight [g]
	l ₁ min	W	h		
SI / SI17 ES	34	27	67	45,0	0,22

CARATTERISTICHE DEL PRODOTTO

Marchio	DURBAL
N° Ean13	3663952496986
Diametro interno	17 mm
Diametro esterno	46 mm
Spessore	14 mm
Tipo	SI
Peso	220 g
Il filo	Filetto destro
Lubrificazione	con
Imballaggio	1

contatto@123cuscinetti.ch

CRT4 de Lesquin 60 Rue Du Haut De Sainghin 59273 Fretin FRANCE