

## Teste a snodo SA SAZP15-S-DURBAL - SAZP15-S-DURBAL

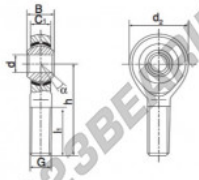
<https://www.123cuscinetti.ch/cuscinetti-supporti/teste-snodo/sa/sazp15-s-durbal>

### SAZP15-S



male thread:  
lubrication  
required,  
similar to  
DIN ISO 12240-4:  
series R,  
measurement in  
inches

**Description:** DIN ISO rod end K series. Dimensions in  
inch. Sliding combination steel / heavy duty bronze.  
With grease nipple.



rod end body:  
surface zinc plated

Sliding combination:  
steel / heavy duty bronze

inner ring:  
bearing steel, hardened, ground and  
spherical surface chromium plated

Outer ring:  
heavy duty bronze with lubrication

Lubrication:  
lubrication required, with grease nipple

order number		measurement [mm]	
right hand thread	left hand thread	d	G
SAZP 15 S		15,88	5/8 - 18
			B
			C1
			d2

type	inches	measurement [mm]		α [°]	load rating C <sub>0</sub> [kN]	weight [g]
		h <sub>1</sub> min	h			
SAZP / SAZPL 15 S	5 / 8"	41,28	66,68	11	21,0	0,180

## CARATTERISTICHE DEL PRODOTTO

Marchio	DURBAL
N° Ean13	3663952496221
Diametro interno	15.88 mm
Diametro esterno	38.1 mm
Spessore	19.05 mm
Tipo	-
Peso	180 g
Il filo	-
Lubrificazione	-
Imballaggio	-

[contatto@123cuscinetti.ch](mailto:contatto@123cuscinetti.ch)

CRT4 de Lesquin 60 Rue Du Haut De Sainghin 59273 Fretin FRANCE