

Teste a snodo SA SAZPL9-S-DURBAL - SAZPL9-S-DURBAL

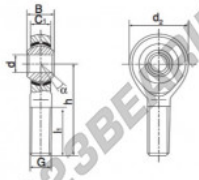
<https://www.123cuscinetti.ch/cuscinetti-supporti/teste-snodo/sa/sazpl9-s-durbal>

SAZPL9-S



male thread:
lubrication
required,
similar to
DIN ISO 12240-4:
series R,
measurement in
inches

Description: DIN ISO rod end K series. Dimensions in
inch. Sliding combination steel / heavy duty bronze.
With grease nipple.



123BEARING

Rod end body:
surface zinc plated

Sliding combination:
steel / heavy duty bronze

Inner ring:
bearing steel, hardened, ground and
spherical surface chromium plated

Outer ring:
heavy duty bronze with lubrication

Lubrication:
lubrication required, with grease nipple

order number		measurement [mm]	
right hand thread	left hand thread	d	G
SAZPL 9 S		9,53	3/8 - 24
			B
			C1
			d2

type	inches	measurement [mm]		load rating	weight
		h [mm]	a [°]	C0 [kN]	Wg [g]
SAZP / SAZPL 9 S	3 / 8 "	31,75	49,23	9	10,0

CARATTERISTICHE DEL PRODOTTO

Marchio	DURBAL
N° Ean13	3663952496108
Diametro interno	9.53 mm
Diametro esterno	25.4 mm
Spessore	12.7 mm
Tipo	SA
Peso	55 g
Il filo	Filetto sinistro
Lubrificazione	senza
Imballaggio	1

contatto@123cuscinetti.ch

CRT4 de Lesquin 60 Rue Du Haut De Sainghin 59273 Fretin FRANCE