

## Teste a snodo SA SAZP7-S-DURBAL - SAZP7-S-DURBAL

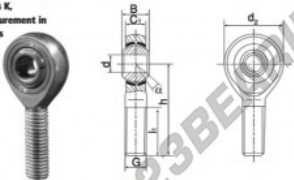
<https://www.123cuscinetti.ch/cuscinetti-supporti/teste-snodo/sa/sazp7-s-durbal>

### SAZP7-S



male thread:  
lubrication  
required,  
similar to  
DIN ISO 12240-4;  
series R,  
measurement in  
inches

**Description:** DIN ISO rod end K series. Dimensions in inch. Sliding combination steel / heavy duty bronze. With grease nipple.



123BEARING

Rod end body:  
surface zinc plated

Sliding combination:  
steel / heavy duty bronze

Inner ring:  
bearing steel, hardened, ground and  
spherical surface chromium plated

Outer ring:  
heavy duty bronze with lubrication

Lubrication:  
lubrication required, with grease nipple

order number		measurement [mm]	
right hand thread	left hand thread	d	G
SAZP 7 S		7,94	5/16 - 24
			B
			11,10
			C <sub>1</sub>
			8,74
			d <sub>2</sub>
			22,23

type	inches	measurement [mm]		load rating	weight
		l <sub>1</sub> min	h	C <sub>0</sub> [kN]	W [g]
SAZP / SAZPL 7 S	5 / 16 "	31,75	47,63	10	8,4
					0,037

## CARATTERISTICHE DEL PRODOTTO

Marchio	DURBAL
N° Ean13	3663952496061
Diametro interno	7.94 mm
Diametro interno	5/16" inch
Diametro esterno	22.23 mm
Diametro esterno	7/8" inch
Spessore	11.1 mm
Spessore	0.437" inch
Tipo	SA
Peso	37 g
Il filo	Filetto destro
Lubrificazione	senza
Imballaggio	1

[contatto@123cuscinetti.ch](mailto:contatto@123cuscinetti.ch)

CRT4 de Lesquin 60 Rue Du Haut De Sainghin 59273 Fretin FRANCE