

## Teste a snodo SA SAZPL4-S-DURBAL - SAZPL4-S-DURBAL

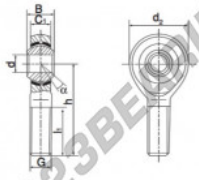
<https://www.123cuscinetti.ch/cuscinetti-supporti/teste-snodo/sa/sazpl4-s-durbal>

### SAZPL4-S



male thread:  
lubrication  
required,  
similar to  
DIN ISO 12240-4:  
series R,  
measurement in  
inches

**Description:** DIN ISO rod end K series. Dimensions in  
inch. Sliding combination steel / heavy duty bronze.  
With grease nipple.



123BEARING

Rod end body:  
surface zinc plated

Sliding combination:  
steel / heavy duty bronze

Inner ring:  
bearing steel, hardened, ground and  
spherical surface chromium plated

Outer ring:  
heavy duty bronze with lubrication

Lubrication:  
lubrication required, with grease nipple

order number		measurement [mm]	
right hand thread	left hand thread	d	G
SAZPL 4 S		4,83	10 - 32
			B
			C <sub>1</sub>
			d <sub>2</sub>

type	inches	measurement [mm]		load rating C <sub>0</sub> [kN]	weight [g]
		h <sub>1</sub> min	h		
SAZP / SAZPL 4 S		19,05	31,75	10	3,8

## CARATTERISTICHE DEL PRODOTTO

Marchio	DURBAL
N° Ean13	3663952495996
Diametro interno	4.83 mm
Diametro esterno	15.88 mm
Spessore	7.92 mm
Tipo	SA
Peso	13 g
Il filo	Filetto sinistro
Lubrificazione	senza
Imballaggio	1

[contatto@123cuscinetti.ch](mailto:contatto@123cuscinetti.ch)

CRT4 de Lesquin 60 Rue Du Haut De Sainghin 59273 Fretin FRANCE