

Teste a snodo SI PHS28-DURBAL - PHS28-DURBAL

<https://www.123cuscinetti.ch/cuscinetti-supporti/teste-snodo/si/phs28-durbal>

PHS28



Description: DIN ISO rod end K series. Sliding combination steel / heavy duty bronze.

female thread: lubrication required, according to DIN ISO 12240-4, series K

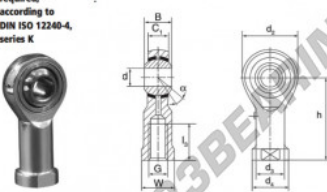
Rod end body: surface chromium plated

Sliding combination: steel / heavy duty bronze

Inner ring: bearing steel, hardened, ground and spherical surface chromium plated

Outer ring: heavy duty bronze with lubrication

Lubrication: lubrication required



order number	right hand thread	left hand thread	d	G	B	C1	d2	d3	d4
PHS 28			28	M 27 x 2	35	24,00	66	37,0	46

type	measurement [mm]				load rating C ₀ [kN]	weight [kg]
	l ₂ min	W	h	α [°]		
PHS / PHSL 28	48	41	103	15	75,0	0,980

CARATTERISTICHE DEL PRODOTTO

Marchio	DURBAL
N° Ean13	3663952495507
Diametro interno	28 mm
Diametro esterno	66 mm
Spessore	35 mm
Tipo	SI
Peso	980 g
Il filo	Filetto destro
Lubrificazione	senza
Imballaggio	1

contatto@123cuscinetti.ch

CRT4 de Lesquin 60 Rue Du Haut De Sainghin 59273 Fretin FRANCE