

Teste a snodo SI PHSL25-DURBAL - PHSL25-DURBAL

<https://www.123cuscinetti.ch/cuscinetti-supporti/teste-snodo/si/phsl25-durbal>

PHSL25



Description: DIN ISO rod end K series. Sliding combination steel / heavy duty bronze.

female thread: lubrication required, according to DIN ISO 12240-4, series K

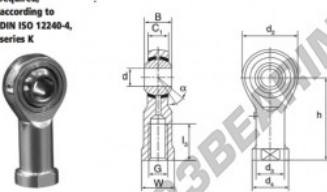
Rod end body: surface chromium plated

Sliding combination: steel / heavy duty bronze

Inner ring: bearing steel, hardened, ground and spherical surface chromium plated

Outer ring: heavy duty bronze with lubrication

Lubrication: lubrication required



order number	right hand thread	left hand thread	d	G	B	C1	d2	d3	d4
PHSL 25			25	M 24 x 2	31	22,00	60	33,5	42

type	measurement [mm]				load rating C ₀ [kN]	weight [kg]
	l ₂ min	W	h	α [°]		
PHS / PHSL 25	42	36	94	15	68,0	0,730

CARATTERISTICHE DEL PRODOTTO

Marchio	DURBAL
N° Ean13	3663952495460
Diametro interno	25 mm
Diametro esterno	60 mm
Spessore	31 mm
Tipo	SI
Peso	730 g
Il filo	Filetto sinistro
Lubrificazione	senza
Imballaggio	1

contatto@123cuscinetti.ch

CRT4 de Lesquin 60 Rue Du Haut De Sainghin 59273 Fretin FRANCE