

Teste a snodo SI PHSL22-DURBAL - PHSL22-DURBAL

<https://www.123cuscinetti.ch/cuscinetti-supporti/teste-snodo/si/phsl22-durbal>

PHSL22



Description: DIN ISO rod end K series. Sliding combination steel / heavy duty bronze.

female thread: lubrication required, according to DIN ISO 12240-4, series K

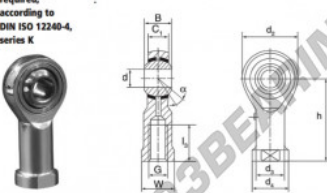
Rod end body: surface chromium plated

Sliding combination: steel / heavy duty bronze

Inner ring: bearing steel, hardened, ground and spherical surface chromium plated

Outer ring: heavy duty bronze with lubrication

Lubrication: lubrication required



order number	right hand thread	left hand thread	d	G	B	C1	d ₁	d ₂	d ₃	d ₄
PHSL 22			22	M 22 x 1,5	28	20,00	54	30,0		38

type	measurement [mm]				load rating C ₀ [kN]	weight [kg]
	l ₂ min	W	h	α [°]		
PHS / PHSL 22	37	32	84	15	57,0	0,540

CARATTERISTICHE DEL PRODOTTO

Marchio	DURBAL
N° Ean13	3663952495415
Diametro interno	22 mm
Diametro esterno	54 mm
Spessore	28 mm
Tipo	SI
Peso	540 g
Il filo	Filetto sinistro
Lubrificazione	senza
Imballaggio	1

contatto@123cuscinetti.ch

CRT4 de Lesquin 60 Rue Du Haut De Sainghin 59273 Fretin FRANCE