

Teste a snodo SI PHSL18-DURBAL - PHSL18-DURBAL

<https://www.123cuscinetti.ch/cuscinetti-supporti/teste-snodo/si/phsl18-durbal>

PHSL18



Description: DIN ISO rod end K series. Sliding combination steel / heavy duty bronze.

female thread: lubrication required, according to DIN ISO 12240-4, series K

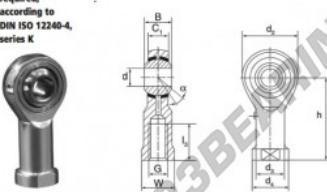
Rod end body: surface chromium plated

Sliding combination: steel / heavy duty bronze

Inner ring: bearing steel, hardened, ground and spherical surface chromium plated

Outer ring: heavy duty bronze with lubrication

Lubrication: lubrication required



order number	right hand thread	left hand thread	d	G	B	C1	d ₁	d ₂	d ₃	d ₄
PHSL 18			18	M 18 x 1.5	23	16,50	44	25,0		31

type	measurement [mm]			α [°]	load rating C ₀ [kN]	weight [kg]
	I ₂ min	W	h			
PHS / PHSL 18	32	27	71	15	42,5	0,320

CARATTERISTICHE DEL PRODOTTO

Marchio	DURBAL
N° Ean13	3663952495330
Diametro interno	18 mm
Diametro esterno	44 mm
Spessore	23 mm
Tipo	SI
Peso	320 g
Il filo	Filetto sinistro
Lubrificazione	senza
Imballaggio	1

contatto@123cuscinetti.ch

CRT4 de Lesquin 60 Rue Du Haut De Sainghin 59273 Fretin FRANCE