

## Teste a snodo SI PHS10-DURBAL - PHS10-DURBAL

<https://www.123cuscinetti.ch/cuscinetti-supporti/teste-snodo/si/phs10-durbal>

### PHS10



**Description:** DIN ISO rod end K series. Sliding combination steel / heavy duty bronze.

**female thread:**  
lubrication required, according to DIN ISO 12240-4, series K

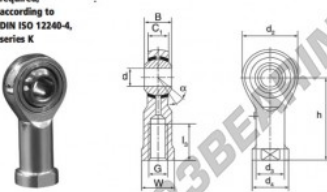
**Rod end body:**  
surface chromium plated

**Sliding combination:**  
steel / heavy duty bronze

**Inner ring:**  
bearing steel, hardened, ground and spherical surface chromium plated

**Outer ring:**  
heavy duty bronze with lubrication

**Lubrication:**  
lubrication required



order number	right hand thread	left hand thread	d	G	B	C1	d2	d3	d4
PHS 10			10	M 10	14	10,50	26	15,0	19

type	measurement [mm]				load rating C <sub>0</sub> [kN]	weight [kg]
	l <sub>2</sub> min	W	h	α [°]		
PHS / PHSL 10	20	17	43	13	14,5	0,077

## CARATTERISTICHE DEL PRODOTTO

Marchio	DURBAL
N° Ean13	3663952495026
Diametro interno	10 mm
Diametro esterno	26 mm
Spessore	14 mm
Tipo	SI
Peso	77 g
Il filo	Filetto destro
Lubrificazione	senza
Imballaggio	1

[contatto@123cuscinetti.ch](mailto:contatto@123cuscinetti.ch)

CRT4 de Lesquin 60 Rue Du Haut De Sainghin 59273 Fretin FRANCE