

Teste a snodo SI PHSL6-DURBAL - PHSL6-DURBAL

<https://www.123cuscinetti.ch/cuscinetti-supporti/teste-snodo/si/phsl6-durbal>

PHSL6



Description: DIN ISO rod end K series. Sliding combination steel / heavy duty bronze.

female thread: lubrication required, according to DIN ISO 12240-4, series K

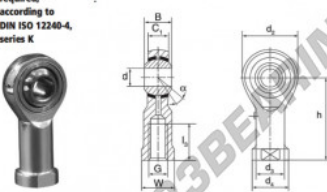
rod end body: surface chromium plated

sliding combination: steel / heavy duty bronze

inner ring: bearing steel, hardened, ground and spherical surface chromium plated

outer ring: heavy duty bronze with lubrication

Lubrication: lubrication required



| order number | right hand thread | left hand thread | d | G | B | C1 | d2 | d3 | d4 |
|--------------|-------------------|------------------|---|-----|---|------|----|------|----|
| PHSL 6 | | | 6 | M 6 | 9 | 6,75 | 10 | 10,0 | 13 |

| type | measurement [mm] | | | | load rating C ₀ [kN] | weight [kg] |
|--------------|--------------------|----|----|-------|---------------------------------------|----------------|
| | l ₂ min | W | h | α [°] | | |
| PHS / PHSL 6 | 12 | 11 | 30 | 13 | 7,2 | 0,022 |

CARATTERISTICHE DEL PRODOTTO

| | |
|------------------|---------------|
| Marchio | DURBAL |
| N° Ean13 | 3663952494937 |
| Diametro interno | 6 mm |
| Diametro esterno | 18 mm |
| Spessore | 9 mm |
| Tipo | - |
| Peso | 22 g |
| Il filo | - |
| Lubrificazione | - |
| Imballaggio | - |

contatto@123cuscinetti.ch

CRT4 de Lesquin 60 Rue Du Haut De Sainghin 59273 Fretin FRANCE