

Teste a snodo SI GIR25-UK-DURBAL - GIR25-UK-DURBAL

<https://www.123cuscinetti.ch/cuscinetti-supporti/teste-snodo/si/gir25-uk-durbal>

GIR25-UK



female thread: maintenance free, according to DIN ISO 12240-4; series E

Description: DIN ISO rod end E series. Made of spherical plain bearing DGE...UK (UK-2RS) pressed into rod end body. Sliding combination steel / bronze-PTFE composite. Bore diameter $d \geq$ size 35 with additional seal on both sides (e.g. DGR... UK-2RS) bore diameter $d \geq$ size 17 additional seal on both sides upon request.

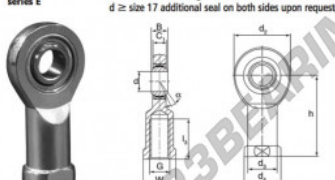
Rod end body: surface zinc plated

Sliding combination: steel / bronze-PTFE fabric

Inner ring: bearing steel, hardened, ground and spherical surface chromium plated

Outer ring: steel body pressed around, outer race lined with bronze-PTFE composite

Lubrication: no lubrication necessary, maintenance free



order number	d	G	B	C ₁	C ₂	d ₂	d ₄
GIR 25 UK	25	M 24 x 2	20	17,0	64	33,5	42

type	measurement [mm]			α [°]	load rating C ₀ [kN]	weight [kg]
	l ₃ min	h	W			
GIR / GIR 25 UK	48	94	36	7	83,0	0,640

CARATTERISTICHE DEL PRODOTTO

Marchio	DURBAL
N° Ean13	3663952493978
Diametro interno	25 mm
Diametro esterno	64 mm
Spessore	20 mm
Tipo	SI
Peso	640 g
Il filo	Filetto destro
Lubrificazione	senza
Imballaggio	1

contatto@123cuscinetti.ch

CRT4 de Lesquin 60 Rue Du Haut De Sainghin 59273 Fretin FRANCE