

Teste a snodo SA GAR10-UK-DURBAL - GAR10-UK-DURBAL

<https://www.123cuscinetti.ch/cuscinetti-supporti/teste-snodo/sa/gar10-uk-durbal>

GAR10-UK



male thread: maintenance free, according to DIN ISO 12240-4, series E

Description: DIN ISO rod end E series. Made of spherical plain bearing DGE...UK (UK-2RS) pressed into rod end body. Sliding combination steel / bronze-PTFE composite. Bore diameter $d \geq$ size 35 with additional seal on both sides (e.g. DGAR... UK-2RS) bore diameter $d \geq$ size 17 additional seal on both sides upon request.

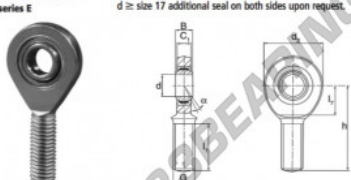
Rod end body: surface zinc plated

Sliding combination: steel / bronze-PTFE fabric

Inner ring: bearing steel, hardened, ground and spherical surface chromium plated

Outer ring: steel body ground around, outer race lined with bronze-PTFE composite

Lubrication: no lubrication necessary, maintenance free



order number	d	G	measurement (mm)	C ₁	d ₂
GAR 10 UK	10	M 10	9	7,0	29

type	l, min	measurement (mm) l ₁ min	h	α [°]	load rating C ₀ [kN]	weight (kg)
GAR / GAL 10 UK	26	15	48	12	17,6	0,051

CARATTERISTICHE DEL PRODOTTO

Marchio	DURBAL
N° Ean13	3663952492858
Diametro interno	10 mm
Diametro interno	0.394" inch
Diametro esterno	29 mm
Diametro esterno	1.142" inch
Spessore	9 mm
Spessore	0.354" inch
Tipo	SA
Peso	51 g
Il filo	Filetto destro
Lubrificazione	senza
Imballaggio	-
Standard	Nessuno standard

contatto@123cuscinetti.ch

CRT4 de Lesquin 60 Rue Du Haut De Sainghin 59273 Fretin FRANCE