

## Teste a snodo SA SA22-BK-DURBAL - SA22-BK-DURBAL

<https://www.123cuscinetti.ch/cuscinetti-supporti/teste-snodo/sa/sa22-bk-durbal>

### SA22-BK



**male thread:** maintenance free, according to DIN ISO 12240-4, series K

**Description:** DIN ISO rod end K series. Sliding combination steel / bronze-PTFE composite.

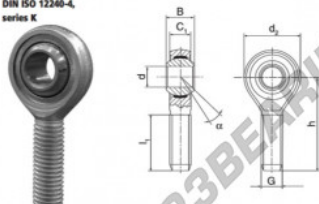
**rod end body:** surface zinc plated

**sliding combination:** steel / bronze-PTFE composite

**inner ring:** bearing steel hardened and ground

**Outer ring:** rod end body pressed around, outer race lined with bronze-PTFE composite

**Lubrication:** maintenance free



order number	measurement [mm]	
	right hand thread	left hand thread
SA 22 BK	22	M 22 x 1,5

type	measurement [mm]		load rating C <sub>0</sub> [kN]	weight [kg]
	l <sub>2</sub> min	h		
SA / SAL 22 BK	50	84	68,00	0,480

## CARATTERISTICHE DEL PRODOTTO

Marchio	DURBAL
N° Ean13	3663952492704
Diametro interno	22 mm
Diametro esterno	55 mm
Spessore	28 mm
Tipo	SA
Peso	480 g
Il filo	Filetto destro
Lubrificazione	senza
Imballaggio	1

[contatto@123cuscinetti.ch](mailto:contatto@123cuscinetti.ch)

CRT4 de Lesquin 60 Rue Du Haut De Sainghin 59273 Fretin FRANCE