

Teste a snodo SA DSA16-BK-DURBAL - DSA16-BK-DURBAL

<https://www.123cuscinetti.ch/cuscinetti-supporti/teste-snodo/sa/dsa16-bk-durbal>

DSA16-BK



male thread: maintenance free, according to DIN ISO 12240-4, series K

Description: DIN ISO rod end K series. Sliding combination steel / bronze-PTFE composite.

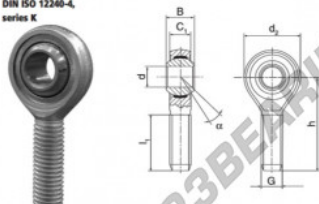
Rod end body: surface zinc plated

Sliding combination: steel / bronze-PTFE composite

Inner ring: bearing steel hardened and ground

Outer ring: rod end body pressed around, outer race lined with bronze-PTFE composite

Lubrication: maintenance free



order number	measurement [mm]	
	right hand thread	left hand thread
DSA 16 BK	16	M 16

type	measurement [mm]		alpha [°]	load rating C ₀ [kN]	weight [kg]
	l ₁ min	h			
DSA / DSAL 16 BK	40	66	14	39,00	0,210

CARATTERISTICHE DEL PRODOTTO

Marchio	DURBAL
N° Ean13	3663952492568
Diametro interno	16 mm
Diametro interno	0.63" inch
Diametro esterno	43 mm
Diametro esterno	1.693" inch
Spessore	21 mm
Spessore	0.827" inch
Tipo	SA
Peso	210 g
Il filo	Filetto destro
Lubrificazione	senza
Imballaggio	1

contatto@123cuscinetti.ch

CRT4 de Lesquin 60 Rue Du Haut De Sainghin 59273 Fretin FRANCE