

Teste a snodo SI SSI10-T-K-DURBAL - SSI10-T-K-DURBAL

<https://www.123cuscinetti.ch/cuscinetti-supporti/teste-snodo/si/ssi10-t-k-durbal>

SSI10-T-K



female thread: maintenance free, according to DIN ISO 12240-4, series K, in stainless steel

Description: DIN ISO rod end K series. Made of spherical plain bearing DG...PW pressed into rod end body. Sliding combination steel / bronze-PTFE composite.

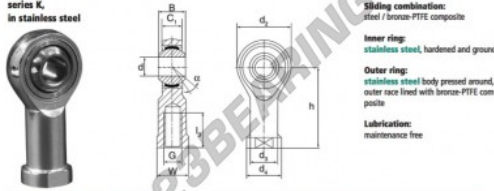
Red end body: stainless steel

Sliding combination: steel / bronze-PTFE composite

Inner ring: stainless steel, hardened and ground

Outer ring: stainless steel body pressed around, outer race lined with bronze-PTFE composite

Lubrication: maintenance free



order number	d	G	measurement [mm]					
right hand thread	left hand thread		B	C1	d1	d2	d3	d4
SSI 10 T/K		M 10	14	10,50	28	15,0	19	

type	l1 min	W	h	α	load rating C0 [kN]	weight [kg]
SSI / SSI 10 T/K	20	17	43	13	18,0	0,077

CARATTERISTICHE DEL PRODOTTO

Marchio	DURBAL
N° Ean13	3663952491196
Diametro interno	10 mm
Diametro esterno	28 mm
Spessore	14 mm
Tipo	SI
Peso	77 g
Il filo	Filetto destro
Lubrificazione	senza
Imballaggio	1

contatto@123cuscinetti.ch

CRT4 de Lesquin 60 Rue Du Haut De Sainghin 59273 Fretin FRANCE