

Teste a snodo SA SSAL18-T-K-DURBAL - SSAL18-T-K-DURBAL

<https://www.123cuscinetti.ch/cuscinetti-supporti/teste-snodo/sa/ssal18-t-k-durbal>

SSAL18-T-K



male thread: maintenance free, according to DIN ISO 12240-4, series K, in stainless steel

Description: DIN ISO rod end K series. Made of spherical plain bearing DG...PW pressed into rod end body. Sliding combination steel / bronze-PTFE composite.

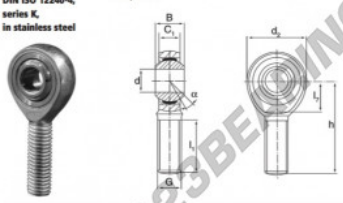
rod end body: stainless steel

Sliding combination: steel / bronze-PTFE composite

inner ring: stainless steel, hardened and ground

Outer ring: stainless steel body pressed around, outer race lined with bronze-PTFE composite

Lubrication: maintenance free



order number	measurement [mm]
SSAL 18 T/K	d: 18, G: M 18 x 1,5, B: 23, C1: 16,50, d2: 44

type	measurement [mm]			alpha [°]	load rating C0 [kN]	weight [kg]
	l1 min	l2 min	h			
SSA / SSAL 18 T/K	41	22	72	15	47,5	0,280

CARATTERISTICHE DEL PRODOTTO

Marchio	DURBAL
N° Ean13	3663952490823
Diametro interno	18 mm
Diametro esterno	44 mm
Spessore	23 mm
Tipo	SA
Peso	280 g
Il filo	Filetto sinistro
Lubrificazione	senza
Imballaggio	1

contatto@123cuscinetti.ch

CRT4 de Lesquin 60 Rue Du Haut De Sainghin 59273 Fretin FRANCE