

## Teste a snodo SA DSSAL5-T-K-DURBAL - DSSAL5-T-K-DURBAL

<https://www.123cuscinetti.ch/cuscinetti-supporti/teste-snodo/sa/dssal5-t-k-durbal>

### DSSAL5-T-K



**male thread:** maintenance free, according to DIN ISO 12240-4, series K, in stainless steel

**Description:** DIN ISO rod end K series. Made of spherical plain bearing DG...PW pressed into rod end body. Sliding combination steel / bronze-PTFE composite.

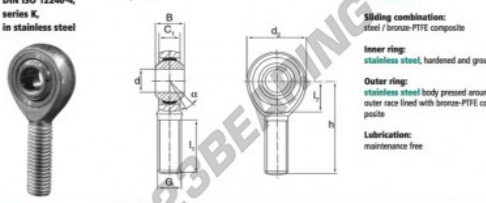
**rod end body:** stainless steel

**Sliding combination:** steel / bronze-PTFE composite

**inner ring:** stainless steel, hardened and ground

**Outer ring:** stainless steel body pressed around, outer race lined with bronze-PTFE composite

**Lubrication:** maintenance free



order number	right hand thread	left hand thread	measurement [mm]			
DSSAL 5 T/K	S	M 5	B	C1	d2	
			8	6,00	18	

type	measurement [mm]			load rating C <sub>0</sub> [kN]	weight [kg]
	l <sub>1</sub> min	l <sub>2</sub> min	h		
DSSA / DSSAL 5 T/K	19	33	13	6,0	0,013

## CARATTERISTICHE DEL PRODOTTO

Marchio	DURBAL
N° Ean13	3663952490564
Diametro interno	5 mm
Diametro esterno	18 mm
Spessore	8 mm
Tipo	SA
Peso	13 g
Il filo	Filetto sinistro
Lubrificazione	senza
Imballaggio	1

[contatto@123cuscinetti.ch](mailto:contatto@123cuscinetti.ch)

CRT4 de Lesquin 60 Rue Du Haut De Sainghin 59273 Fretin FRANCE