

Teste a snodo SA DSSAL5-T-K-DURBAL - SSAL5-T-K-DURBAL

<https://www.123cuscinetti.ch/cuscinetti-supporti/teste-snodo/sa/ssal5-t-k-durbal>

DSSAL5-T-K



male thread: maintenance free, according to DIN ISO 12240-4, series K, in stainless steel

Description: DIN ISO rod end K series. Made of spherical plain bearing DG...PW pressed into rod end body. Sliding combination steel / bronze-PTFE composite.

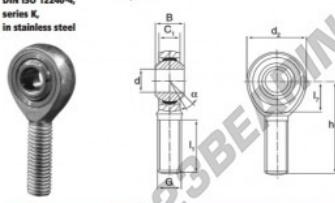
Red end body: stainless steel

Sliding combination: steel / bronze-PTFE composite

Inner ring: stainless steel, hardened and ground

Outer ring: stainless steel body pressed around, outer race lined with bronze-PTFE composite

Lubrication: maintenance free



order number	right hand thread	left hand thread	measurement [mm]			
DSSAL 5 T/K	S	M 5	B	C1	d2	
			8	6,00	18	

type	measurement [mm]			load rating C ₀ [kN]	weight [kg]
	l ₁ min	l ₂ min	h		
DSSA / DSSAL 5 T/K	19		33	6,0	0,013

CARATTERISTICHE DEL PRODOTTO

Marchio	DURBAL
N° Ean13	3663952490564
Diametro interno	5 mm
Diametro esterno	18 mm
Spessore	8 mm
Tipo	SA
Peso	13 g
Il filo	Filetto sinistro
Lubrificazione	senza
Imballaggio	1

contatto@123cuscinetti.ch

CRT4 de Lesquin 60 Rue Du Haut De Sainghin 59273 Fretin FRANCE