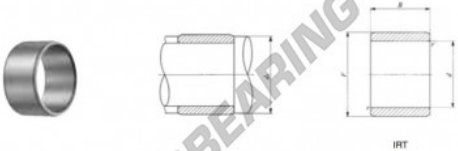


Accessorio de supporti IRT5045-IKO - IRT5045-IKO

<https://www.123cuscinetti.ch/cuscinetti-supporti/supporti/accessorio/irt5045-iko>

IKO
INNER RINGS
Inner Rings for Shell Type Needle Roller Bearings



Shaft dia. mm	Identification number	Mass (Ref.) g	Boundary dimensions mm				Serial marking class: mm		Assembled bearings		
			d	F	B	r _s (1)	d _s Min.	d _s Max.	TA--Z (TAM)	TLA--Z (TLAM)	YT YTL
50	IRT 5045	300	50	60	45.5	1.5	58	59	TAW 6045Z	—	—

Note(1) Minimum allowable value of chamfer dimension r
Remark No oil hole is provided.

CARATTERISTICHE DEL PRODOTTO

Marchio	IKO
N° Ean13	3663952411590
Diametro interno	50 mm
Diametro esterno	60 mm
Spessore	45.5 mm
Imballaggio	1

contatto@123cuscinetti.ch

CRT4 de Lesquin 60 Rue Du Haut De Sainghin 59273 Fretin FRANCE