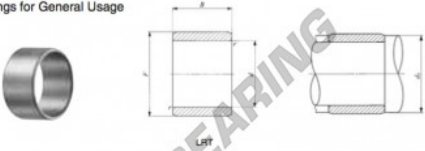


## Anelli interni LRT440490160-IKO - LRT440490160-IKO

<https://www.123cuscinetti.ch/cuscinetti-supporti/cuscinetti-rullini/anelli-interni/lrt440490160-iko>

**IKO**  
**INNER RINGS**  
Inner Rings for General Usage



Shaft dia. mm	Identification number	Mass (kg)	Boundary dimensions mm				Standard mounting dimension mm		Assembled bearings	
			d	F	B	r <sup>(*)</sup> % min	d <sub>2</sub> Min.	d <sub>2</sub> Max.		
440	LRT 440490160	44	100	440	490	160	4	456	487	RNA 4988

Note(\*) Minimum allowable value of chamfer dimension r  
Remark No oil hole is provided.

### CARATTERISTICHE DEL PRODOTTO

Marchio	IKO
N° Ean13	3663952406992
Diametro interno	440 mm
Diametro esterno	490 mm
Spessore	160 mm
Tipo	LRT
Imballaggio	1

[contatto@123cuscinetti.ch](mailto:contatto@123cuscinetti.ch)

CRT4 de Lesquin 60 Rue Du Haut De Sainghin 59273 Fretin FRANCE