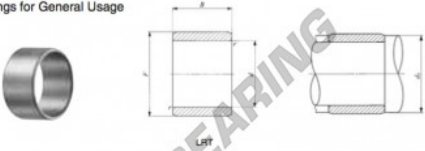


Anelli interni LRT34037080-IKO - LRT34037080-IKO

<https://www.123cuscinetti.ch/cuscinetti-supporti/cuscinetti-rullini/anelli-interni/lrt34037080-iko>

IKO
INNER RINGS
Inner Rings for General Usage



Shaft dia. mm	Identification number	Mass (kg)	Boundary dimensions mm				Standard mounting dimension mm		Assembled bearings
			d	F	B	r ^(*) % min	d ₂ Min.	d ₂ Max.	
340	LRT 34037080	10 200	340	370	80	2.1	351	367	RNA 4868

Note(*) Minimum allowable value of chamfer dimension r
Remark No oil hole is provided.

CARATTERISTICHE DEL PRODOTTO

Marchio	IKO
N° Ean13	3663952406916
Diametro interno	340 mm
Diametro esterno	370 mm
Spessore	80 mm
Tipo	LRT
Imballaggio	1

contatto@123cuscinetti.ch

CRT4 de Lesquin 60 Rue Du Haut De Sainghin 59273 Fretin FRANCE