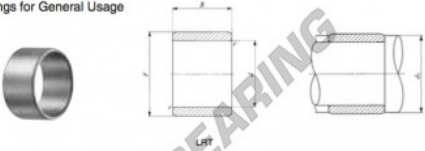


Anelli interni LRT19021569-IKO - LRT19021569-IKO

<https://www.123cuscinetti.ch/cuscinetti-supporti/cuscinetti-rullini/anelli-interni/Lrt19021569-iko>

IKO
INNER RINGS
Inner Rings for General Usage



| Shaft dia. mm | Identification number | Mass (kg) | Boundary dimensions mm | | | | Standard mounting dimension mm | | Assembled bearings |
|---------------|-----------------------|-----------|------------------------|-----|----|-------------------------------------|--------------------------------|------|--------------------|
| | | | d | F | B | r ^(*) / r _{min} | Min. | Max. | |
| 190 | LRT 19021569 | 4.200 | 190 | 215 | 69 | 2 | 199 | 213 | RNA 4938 |

Note(*) Minimum allowable value of chamfer dimension r
Remark No oil hole is provided.

CARATTERISTICHE DEL PRODOTTO

| | |
|------------------|---------------|
| Marchio | IKO |
| N° Ean13 | 3663952406343 |
| Diametro interno | 190 mm |
| Diametro interno | 7.48" inch |
| Diametro esterno | 215 mm |
| Diametro esterno | 8.465" inch |
| Spessore | 69 mm |
| Spessore | 2.717" inch |
| Tipo | LRT |
| Imballaggio | 1 |

contatto@123cuscinetti.ch

CRT4 de Lesquin 60 Rue Du Haut De Sainghin 59273 Fretin FRANCE