
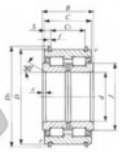


## Cuscinetti a rullini NAS5040-ZZ-NR-IKO - NAS5040-ZZ-NR-IKO

<https://www.123cuscinetti.ch/cuscinetti-supporti/cuscinetti-rullini/rullini/nas5040-zz-nr-iko>

**IKO**  
**ROLLER BEARINGS**  
Roller Bearings for Sheaves

NAS50-ZZNR

Shaft dia. mm	Identification number		Mass (Ref.) kg	Boundary dimensions mm						
	Sealed type	Shield type		d	D	D <sub>2</sub>	B	C	C <sub>1</sub>	S
200		NAS 5040ZZNR	40.5	200	310	326	150	149	120	14.5

f	c	r <sub>s</sub> mm <sup>(1)</sup>	J	Basic dynamic load rating C N	Static load rating C <sub>0</sub> N	Allowable rotational speed <sup>(2)</sup> rpm
5	3.5	1.5	242	1 310 000	2 650 000	500

Notes<sup>(1)</sup> Minimum allowable value of chamfer dimension r.  
<sup>(2)</sup> Allowable rotational speed applies to grease lubrication. Considering that the axial load acts under practical operating conditions, up to 1/10 of this value is recommended for actual use.  
 Remarks: 1. The NAS and NAU series with a bore diameter, d, of 17 mm or less have no oil hole. In others, the outer ring has an oil groove and two oil holes.  
 2. The bearings with seals are provided with prepacked grease.

## CARATTERISTICHE DEL PRODOTTO

Marchio	IKO
N° Ean13	3663952387178
Diametro interno	200 mm
Diametro esterno	310 mm
Spessore	150 mm
Imballaggio	1

[contatto@123cuscinetti.ch](mailto:contatto@123cuscinetti.ch)

CRT4 de Lesquin 60 Rue Du Haut De Sainghin 59273 Fretin FRANCE