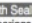

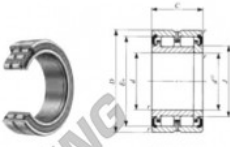


Cuscinetti a rullini TRU9012550-UU-IKO - TRU9012550-UU-IKO

<https://www.123cuscinetti.ch/cuscinetti-supporti/cuscinetti-rullini/rullini/tru9012550-uu-iko>

IKO
ROLLER BEARINGS
Caged Roller Bearings 
Full Complement Roller Bearings 



| Shaft dis. mm | Identification number | | | Mass (Ref.) g | Boundary dimensions mm | | | | |
|----------------------|-----------------------------|---|---|---------------|------------------------|-----|----|------------------|-----|
| | Full complement type | Caged type | | | d | D | C | r ⁽¹⁾ | J |
| 90 | — | — | TRU 9012550UU | 1 740 | 90 | 125 | 50 | 1.5 | 101 |
| <i>E_w</i> | Basic dynamic load rating C | Basic static load rating C ₀ | Allowable rotational speed n ₂ rpm | | | | | | |
| 114 | N | N | 1,900 | | | | | | |

Notes^(*)
⁽¹⁾ Minimum allowable value of chamfer dimension r.
^(*) Allowable rotational speed applies to grease lubrication. Considering that the axial load acts under practical operating conditions, up to 1/10 of this value is recommended for actual use.
 Remarks: 1. The NAU and NAG series with a bore diameter, d, of 17 mm or less have no oil hole. In others, the outer ring has an oil groove and two oil holes.
 2. The bearings with seals are provided with prepacked grease.

CARATTERISTICHE DEL PRODOTTO

| | |
|------------------|---------------|
| Marchio | IKO |
| N° Ean13 | 3663952386546 |
| Diametro interno | 90 mm |
| Diametro esterno | 125 mm |
| Spessore | 50 mm |
| Imballaggio | 1 |

contatto@123cuscinetti.ch

CRT4 de Lesquin 60 Rue Du Haut De Sainghin 59273 Fretin FRANCE