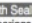

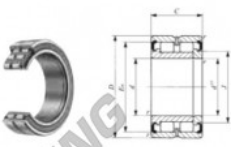


Cuscinetti a rullini NAG4913-UU-IKO - NAG4913-UU-IKO

<https://www.123cuscinetti.ch/cuscinetti-supporti/cuscinetti-rullini/rullini/nag4913-uu-iko>

IKO
ROLLER BEARINGS
Caged Roller Bearings 
Full Complement Roller Bearings 



NAG49-UU

Shaft dis. mm	Identification number			Mass (Ref.) g	Boundary dimensions mm				
	Full complement type	Caged type			d	D	C	r ⁽¹⁾ min	J
65	NAG 4913UU	—		455	65	90	25	1	72
<i>E_w</i>	Basic dynamic load rating C	Basic static load rating C ₀	Allowable rotational speed n ₂ rpm						
83	53 200	93 000	1 900						

Notes^(*)
⁽¹⁾ Minimum allowable value of chamfer dimension r.
^(*) Allowable rotational speed applies to grease lubrication. Considering that the axial load acts under practical operating conditions, up to 1/10 of this value is recommended for actual use.
 Remarks: 1. The NAG and NAU series with a bore diameter, d, of 17 mm or less have no oil hole. In others, the outer ring has an oil groove and two oil holes.
 2. The bearings with seals are provided with prepacked grease.

CARATTERISTICHE DEL PRODOTTO

Marchio	IKO
N° Ean13	3663952386270
Diametro interno	65 mm
Diametro esterno	90 mm
Spessore	25 mm
Imballaggio	1

contatto@123cuscinetti.ch

CRT4 de Lesquin 60 Rue Du Haut De Sainghin 59273 Fretin FRANCE