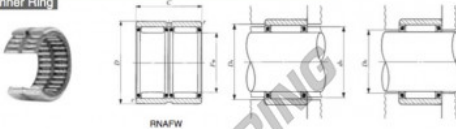


Cuscinetti a rullini RNAFW81620-IKO - RNAFW81620-IKO

<https://www.123cuscinetti.ch/cuscinetti-supporti/cuscinetti-rullini/rullini/rnafw81620-iko>

IKO
NEEDLE ROLLER BEARINGS WITH SEPARABLE CAGE
Without inner Ring



Shaft dia. mm	Identification number	Mass (Ref.) g	Boundary dimensions mm				Standard mounting dimensions mm			Basic dynamic load rating C N	Basic static load rating C ₀ N
			F _w	D	C	r ⁽¹⁾ r _{s min}	d _b	D _s Max.	D _b		
8	RNAFW 81620	20.5	8	16	20	0.3	10.8	14	8.4	6 220	7 200

Allowable rotational speed⁽²⁾
rpm
60 000

Notes⁽¹⁾ Minimum allowable value of chamfer dimension r.
⁽²⁾ Allowable rotational speed applies to grease lubrication.
Remark: This roller ring has an oil groove and an oil hole.
2. Bearings with seals on both sides are provided with prepacked grease. Bearings with a seal on one side are not provided with prepacked grease. Perform proper lubrication for use.

CARATTERISTICHE DEL PRODOTTO

Marchio	IKO
N° Ean13	3663952383705
Diametro interno	8 mm
Diametro esterno	16 mm
Spessore	20 mm
Peso	20 g
Imballaggio	1
Standard	Nessuno standard

contatto@123cuscinetti.ch

CRT4 de Lesquin 60 Rue Du Haut De Sainghin 59273 Fretin FRANCE