

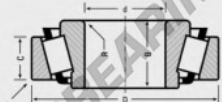
Cuscinetti conico

NP431952-NP378092-TIMKEN - NP431952-NP378092-TIMKEN

<https://www.123cuscinetti.ch/cuscinetti-supporti/cuscinetti-rulli/conico/np431952-np378092-timken>

BEARING SPECIFICATION GUIDE TIMKEN

Tapered Roller Bearings
NP Part Numbers - Continued



Numerical Listing

Part Numbers		Cone			Cup		
Cone	Cup	Bore d	Width B	BF Radius R	O.D. D	Width C	BF Radius r
NP431952	NP378092	66.675	38.354	3.50	122.238	29.718	3.30

CARATTERISTICHE DEL PRODOTTO

Marchio	TIMKEN
N° Ean13	3663952378367
Diametro interno	66.675 mm
Diametro interno	2 5/8" inch
Diametro esterno	122.238 mm
Diametro esterno	4 13/16" inch
Spessore	38.354 mm
Spessore	1.51" inch
Imballaggio	1

contatto@123cuscinetti.ch

CRT4 de Lesquin 60 Rue Du Haut De Sainghin 59273 Fretin FRANCE