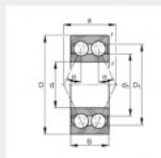


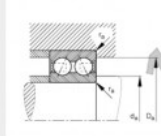
Cuscinetti a sfera fila unica 3809-B-TVH-FAG - 3809-B-TVH-FAG

<https://www.123cuscinetti.ch/cuscinetti-supporti/cuscinetti-sfera/fila-unica/3809-b-tvh-fag>

Angular contact ball bearings 3809-B-TVH
double row, contact angle $\alpha = 25^\circ$



d	45 mm
D	58 mm
B	10 mm
a	24.2 mm
D ₁	
D _{1 max}	56 mm
d ₁	48.6 mm
d _{a min}	47 mm
r _{a max}	0.3 mm
r _{1 min}	0.3 mm
α	25.7° Contact angle
m	0.063 kg Mass
C	7200 N Basic dynamic load rating, radial
C ₀	8300 N Basic static load rating, radial
C ₁	485 N Fatigue limit load, radial
n _{GD}	9300 1/min Limiting speed
n ₀	5700 1/min Reference speed



CARATTERISTICHE DEL PRODOTTO

Marchio	FAG
N° Ean13	3663952349664
Diametro interno	45 mm
Diametro esterno	58 mm
Spessore	10 mm
Imballaggio	1

contatto@123cuscinetti.ch

CRT4 de Lesquin 60 Rue Du Haut De Sainghin 59273 Fretin FRANCE