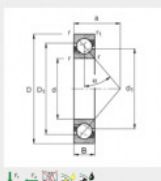


Cuscinetti a sfera fila unica 7321-B-M-FAG - 7321-B-M-FAG

<https://www.123cuscinetti.ch/cuscinetti-supporti/cuscinetti-sfera/fila-unica/7321-b-m-fag>

Angular contact ball bearings 7321-B-MP
main dimensions to DIN 625-1, contact angle $\alpha = 40^\circ$



d	105 mm
D	225 mm
B	49 mm
k	94 mm
D ₁	178.9 mm
D ₂ max	211 mm
D ₂ min	218 mm
d ₁	154 mm
d ₂ min	119 mm
r ₁ min	1.1 mm
r ₂ min	2.5 mm
r ₃ min	3 mm
r ₄ min	3 mm
r ₅ min	3 mm
r ₆ min	3 mm
r ₇ min	3 mm
r ₈ min	3 mm
r ₉ min	3 mm
r ₁₀ min	3 mm
r ₁₁ min	3 mm
r ₁₂ min	3 mm
r ₁₃ min	3 mm
r ₁₄ min	3 mm
r ₁₅ min	3 mm
r ₁₆ min	3 mm
r ₁₇ min	3 mm
r ₁₈ min	3 mm
r ₁₉ min	3 mm
r ₂₀ min	3 mm
r ₂₁ min	3 mm
r ₂₂ min	3 mm
r ₂₃ min	3 mm
r ₂₄ min	3 mm
r ₂₅ min	3 mm
r ₂₆ min	3 mm
r ₂₇ min	3 mm
r ₂₈ min	3 mm
r ₂₉ min	3 mm
r ₃₀ min	3 mm
r ₃₁ min	3 mm
r ₃₂ min	3 mm
r ₃₃ min	3 mm
r ₃₄ min	3 mm
r ₃₅ min	3 mm
r ₃₆ min	3 mm
r ₃₇ min	3 mm
r ₃₈ min	3 mm
r ₃₉ min	3 mm
r ₄₀ min	3 mm
r ₄₁ min	3 mm
r ₄₂ min	3 mm
r ₄₃ min	3 mm
r ₄₄ min	3 mm
r ₄₅ min	3 mm
r ₄₆ min	3 mm
r ₄₇ min	3 mm
r ₄₈ min	3 mm
r ₄₉ min	3 mm
r ₅₀ min	3 mm
r ₅₁ min	3 mm
r ₅₂ min	3 mm
r ₅₃ min	3 mm
r ₅₄ min	3 mm
r ₅₅ min	3 mm
r ₅₆ min	3 mm
r ₅₇ min	3 mm
r ₅₈ min	3 mm
r ₅₉ min	3 mm
r ₆₀ min	3 mm
r ₆₁ min	3 mm
r ₆₂ min	3 mm
r ₆₃ min	3 mm
r ₆₄ min	3 mm
r ₆₅ min	3 mm
r ₆₆ min	3 mm
r ₆₇ min	3 mm
r ₆₈ min	3 mm
r ₆₉ min	3 mm
r ₇₀ min	3 mm
r ₇₁ min	3 mm
r ₇₂ min	3 mm
r ₇₃ min	3 mm
r ₇₄ min	3 mm
r ₇₅ min	3 mm
r ₇₆ min	3 mm
r ₇₇ min	3 mm
r ₇₈ min	3 mm
r ₇₉ min	3 mm
r ₈₀ min	3 mm
r ₈₁ min	3 mm
r ₈₂ min	3 mm
r ₈₃ min	3 mm
r ₈₄ min	3 mm
r ₈₅ min	3 mm
r ₈₆ min	3 mm
r ₈₇ min	3 mm
r ₈₈ min	3 mm
r ₈₉ min	3 mm
r ₉₀ min	3 mm
r ₉₁ min	3 mm
r ₉₂ min	3 mm
r ₉₃ min	3 mm
r ₉₄ min	3 mm
r ₉₅ min	3 mm
r ₉₆ min	3 mm
r ₉₇ min	3 mm
r ₉₈ min	3 mm
r ₉₉ min	3 mm
r ₁₀₀ min	3 mm
m	9 kg Massa
C _r	225000 N Basic dynamic load rating, radial
C ₀	214000 N Basic static load rating, radial
n ₁₀	4600 1/min Limiting speed
n ₂	3400 1/min Reference speed
C ₁₀	11200 N Fatigue limit load, radial

CARATTERISTICHE DEL PRODOTTO

Marchio	FAG
N° Ean13	3663952348223
Diametro interno	105 mm
Diametro interno	4.134" inch
Diametro esterno	225 mm
Diametro esterno	8.858" inch
Spessore	49 mm
Spessore	1.929" inch
Imballaggio	1

contatto@123cuscinetti.ch

CRT4 de Lesquin 60 Rue Du Haut De Sainghin 59273 Fretin FRANCE